

Fig. 1

- Unique compliant tail pins conform to the plated thru-hole without stressing the inner layers of a multilayer board.
- Recommended plated thru-hole for 304 series: .036"-.041" use a 1.1mm drill prior to plating. Using MM #0477 & #0478 pins.
- For 346 series: .040"±.003" finished plated thru-hole. Using MM #4612 & #4613 pins. Patent No. 4,799,904
- Hi-Rel, 4 finger BeCu #30 contact is rated at 3 amps. See page 208 for details.
- Insulators are high temp. thermoplastic.



Ordering Information

Series 304...770 SOLDERLESS PRESS-FIT

Fig. 1	(For .062" Thick Boards)
	304-13-1__-41-770000 Specify # of pins → 01-64

Series 304...780 SOLDERLESS PRESS-FIT

Fig. 2	(For .125" Thick Boards)
	304-13-1__-41-780000 Specify # of pins → 01-64

Mill-Max recommends plating Code 13 for Series 304...770 and 304...780

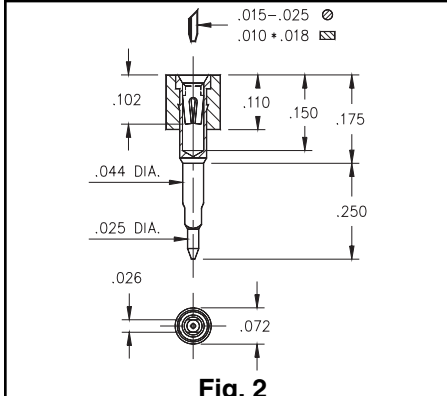


Fig. 2

Series 346...012 COMPLIANT SOLDERLESS PRESS-FIT

Fig. 3	(For .060-.100" Thick Boards)
	346-XX-1__-41-012000 Specify # of pins → 01-64

Series 346...013 COMPLIANT SOLDERLESS PRESS-FIT

Fig. 4	(For .090-.130" Thick Boards)
	346-XX-1__-41-013000 Specify # of pins → 01-64

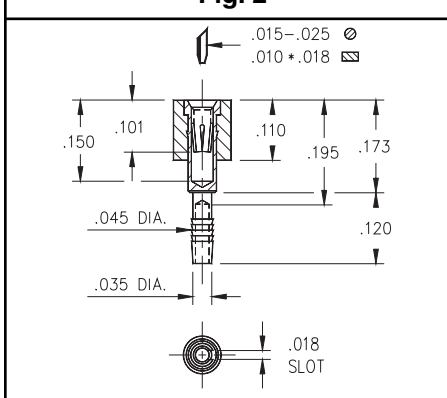


Fig. 3

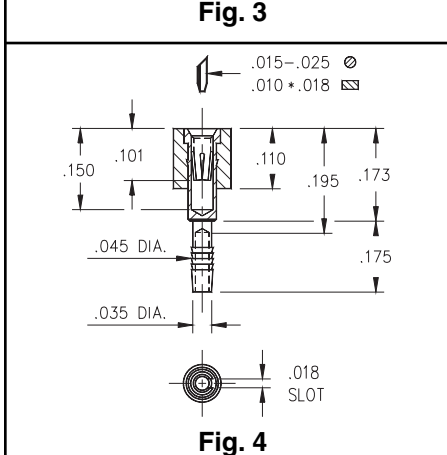


Fig. 4



XX=Plating Code See Below

For RoHS compliance select ◊ plating code.

SPECIFY PLATING CODE XX=	13 ◊	93	99	43 ◊	44 ◊
Sleeve (Pin)	10μ" Au	200μ" Sn/Pb	200μ" Sn/Pb	200μ" Sn	200μ" Sn
Contact (Clip)	30μ" Au	30μ" Au	200μ" Sn/Pb	30μ" Au	200μ" Sn